

Manitowoc Marine Model Ice Cube Machine



Series 850

Five ice machine units available with Special Marine Specifications. Choose Series 600, 850, 1000, 1400 or 1800 water-cooled models. Ice production from 650 to 1,870 pounds per day.

Special Marine Specifications

- Stainless Steel
 - Top Cover
 - Cabinet Panels
 - Bulkhead
 - Frame
 - Brackets
 - Fasteners
 - Water-proof control box housing
 - Compressor ground wire
 - Rugged, corrosion-free base
 - Patented cleaning and sanitizing technology
 - R-404A CFC-free refrigerant
 - Cupra-nickel condenser adds protection from corrosive water elements
 - Warranty
 - 5 year parts-and-labor on evaporator
 - 5-year parts and 3-year labor on compressor
 - 3-year parts-and-labor on all other components
- Contact your sales representative for pricing and availability



Stainless Steel Bulkhead



ISO 9001:2000
Quality System
Certified

America's #1 Selling Ice Machine

Ice Cube & Flake Machines • Ice Storage Bins • Ice Dispensers



Manitowoc Marine Ice Cube Machine

Series 600	
Model	Cube size
SD-0603WMM	dice
SY-0605WMM	half-dice
21.50" H x 30.00" W x 24.50" D	

Order ice storage bin separately.

Note: Placing S-600 ice machine on non-Manitowoc bin or "F" model Manitowoc bin, requires installation of ice deflector K-00347.

Electric: 208-230/60/1 standard. (230/50/1 also available.)

Min. circuit ampacity: 7.9

Max. fuse size: 15 amps

BTU Per Hour: 9,000 (average) 13,900 (peak)

Compressor: Nominal rating: 1 HP

Series 850	
Model	Cube size
SD-0853WMM	dice
SY-0855WMM	half-dice
26.50" H x 30.00" W x 24.50" D	

Order ice storage bin separately.

To order 3 phase add "-3" suffix to model # (SR-0851WMM3).

Note: Placing S-850 ice machine on non-Manitowoc bin or "F" model Manitowoc bin, requires installation of ice deflector K-00347.

Electric: 208-230/60/1 standard. (230/50/1 and 208-230/60/3 also available.)

Min. circuit ampacity: 10.3 - 1ph, 6.8 - 3ph

Max. fuse size: 20 amps - 1ph
15 amps - 3ph

BTU Per Hour: 12,000 (average) 18,000 (peak)

Compressor: Nominal rating: 1-1/2 HP

Series 1000	
Model	Cube size
SD-1003WMM	dice
SY-1005WMM	half-dice
29.50" H x 30.00" W x 24.50" D	

Order ice storage bin separately.

To order 3 phase add "-3" suffix to model # (SR-1001WMM3).

Note: Placing S-1000 ice machine on non-Manitowoc bin or "F" model Manitowoc bin, requires installation of ice deflector K-00347.

Electric: 208-230/60/1 standard. (230/50/1 and 208-230/60/3 also available.)

Min. circuit ampacity: 12.6 - 1ph, 8.9 - 3ph

Max. fuse size: 20 amps - 1ph
15 amps - 3ph

BTU Per Hour: 16,000 (average) 22,000 (peak)

Compressor: Nominal rating: 1-3/4 HP

Series 1400	
Model	Cube size
SD-1403WMM	dice
SY-1405WMM	half-dice
26.50" H x 48.00" W x 24.50" D	

Order ice storage bin separately.

To order 3 phase add "-3" suffix to model # (SR-1301WMM3).

Note: Placing S-1400 ice machine on non-Manitowoc bin or "F" model Manitowoc bin, requires installation of ice deflector K-00349.

Electric: 208-230/60/1 standard. (230/50/1 and 208-230/60/3 also available.)

Min. circuit ampacity: 16.1 - 1ph, 11.8 - 3ph

Max. fuse size: 30 amps - 1ph
20 amps - 3ph

BTU Per Hour: 19,000 (average) 28,000 (peak)

Compressor: Nominal rating: 2 HP

Series 1800	
Model	Cube size
SD-1803WMM	dice
SY-1805WMM	half-dice
29.50" H x 48.00" W x 24.50" D	

Order ice storage bin separately.

To order 3 phase add "-3" suffix to model # (SR-1801WMM3).

Note: Placing S-1800 ice machine on non-Manitowoc bin or "F" model Manitowoc bin, requires installation of ice deflector K-00349.

Electric: 208-230/60/1 standard. (230/50/1 and 208-230/60/3 also available.)

Min. circuit ampacity: 22.1 - 1ph, 12.0 - 3ph

Max. fuse size: 40 amps - 1ph
30 amps - 3ph

BTU Per Hour: 24,000 (average) 36,000 (peak)

Compressor: Nominal rating: 3 HP

WATER COOLED UNIT — 24-HOUR PRODUCTION †

lbs. kgs.

SERIES 600		SERIES 850		SERIES 1000		SERIES 1400		SERIES 1800	
air temp	water temp	air temp	water temp	air temp	water temp	air temp	water temp	air temp	water temp
°F	50° 70° 90°	°F	50° 70° 90°	°F	50° 70° 90°	°F	50° 70° 90°	°F	50° 70° 90°
°C	10° 21° 32°	°C	10° 21° 32°	°C	10° 21° 32°	°C	10° 21° 32°	°C	10° 21° 32°
70°	650 630 590	70°	880 810 730	70°	1,000 930 830	70°	1,380 1,280 1,130	70°	1,870 1,750 1,530
21°	295 286 268	21°	399 367 331	21°	454 422 376	21°	627 582 514	21°	850 795 695
80°	640 620 580	80°	870 800 720	80°	990 920 820	80°	1,380 1,280 1,120	80°	1,870 1,730 1,510
27°	290 281 263	27°	395 363 327	27°	449 417 372	27°	627 582 509	27°	850 786 686
90°	630 610 580	90°	860 790 710	90°	980 910 810	90°	1,380 1,300 1,100	90°	1,860 1,710 1,490
32°	286 277 263	32°	390 358 322	32°	445 413 367	32°	627 591 509	32°	845 777 677

†Production for Dice and Half Dice cubes.

AuCS®SI Accessory



Automatic Cleaning System purchased factory installed in the machine or as an option for field retrofit.

2 Cube Sizes Available



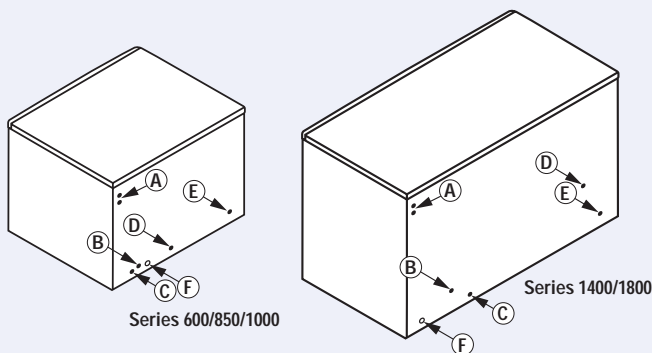
Half Dice
3/8" x 1 1/8" x 7/8"
(.95 x 2.86 x 2.22 cm)



Dice
7/8" x 7/8" x 7/8"
(2.22 x 2.22 x 2.22 cm)

Operating Limits

- Ambient Temperature Range: 35-110°F (4.4-43.3°C)
- Water Temperature Range: 35-90°F (4.4-32.2°C)
- Water Pressure Ice Maker Water In: Min. 20 psi (137.9 kPa)
Max. 80 psi (551.1 kPa)
- Condenser Inlet Water In: Min. 20 psi (137.9 kPa)
Max. 150 psi (1,034.2 kPa)



- (A) Electrical Entrance (2) Options
- (B) 3/8" (0.95 cm) F.P.T. Ice Making Water Inlet
- (C) 1/2" (1.27 cm) F.P.T. Ice Making Water Drain
- (D) 1/2" (1.27 cm) F.P.T. Water Condenser Outlet
- (E) 3/8" (0.95 cm) F.P.T. Water Condenser Inlet
- (F) 1/2" (1.27 cm) Auxiliary Base Drain Socket

Installation Note: Minimum 2-3/4" clearance at back.



MANITOWOC ICE, INC.
2110 South 26th Street, P.O. Box 1720
Manitowoc, WI 54221-1720, USA
Ph: 920-682-0161 • Fax: 920-683-7589
Visit us online at www.manitowocice.com



© 2005 Manitowoc 3162 - 12/04 Continuing product improvement may necessitate change of specifications without notice.

SPA-310 Ice Dispenser



Manitowoc



S-Model Series 450 Ice Cube Machine SPA-310
Ice Dispenser

- Designed for ice bucket filling in hotels, motels, and resorts
- 180 lbs. (82 kgs.) ice storage capacity. Accepts 22" (55.88 cm) or 30" (76.20 cm) wide Manitowoc ice machine
- Only 30" (76.20 cm) wide, 32" (81.28 cm) deep, and 82" high (208.28 cm)
- Patented rocking chute dispense mechanism reduces in-flight ice and ice spillage with quick on/off activation
- Efficient built-in agitator assures 100% dispensing. Polyethylene bin liner and polyurethane insulation store ice longer
- Ice only dispense, with coin-op and room card dispensing control options.
- Warranty
 - 5-year parts and 5-year labor coverage on ice machine evaporator
 - 5-year parts and 3-year labor coverage on ice machine compressor
 - 3-year parts-and-labor coverage on all other ice machine and dispenser components



ISO 9001:2000
Quality System Certified

America's #1 Selling Ice Machine

Ice Cube & Flake Machines • Ice Storage Bins • Ice Dispensers

Manitowoc
Foodservice Group

Manitowoc SPA-310 Ice Dispenser

SERIES 300 (115V)

24-HOUR PRODUCTION †								lbs. kgs.
AIR-COOLED UNIT				WATER-COOLED UNIT				
air temp	water temp			air temp	water temp			
'F	50°	70°	90°	'F	50°	70°	90°	
'C	10°	21°	32°	'C	10°	21°	32°	
70°	325	295	270	70°	310	285	260	
21°	147	134	122	21°	143	129	118	
80°	305	275	250	80°	305	280	255	
27°	138	125	113	27°	138	137	116	
90°	285	255	235	90°	295	270	250	
32°	129	116	107	32°	134	122	113	

†Production for Dice and Half Dice cubes. Data is published for 60 Hz machines. 50 Hz machines produce approximately 7% less ice.

SERIES 450 (115V)

24-HOUR PRODUCTION †								lbs. kgs.
AIR-COOLED UNIT				WATER-COOLED UNIT				
air temp	water temp			air temp	water temp			
'F	50°	70°	90°	'F	50°	70°	90°	
'C	10°	21°	32°	'C	10°	21°	32°	
70°	450	420	390	70°	470	440	400	
21°	204	191	177	21°	213	200	181	
80°	430	400	370	80°	460	430	390	
27°	195	181	168	27°	209	195	177	
90°	410	380	350	90°	450	420	380	
32°	186	173	159	32°	204	191	172	

†Production for Dice and Half Dice cubes. Data is published for 60 Hz machines. 50 Hz machines produce approximately 7% less ice.

SERIES 600 (208-230V)

24-HOUR PRODUCTION †										lbs. kgs.	
AIR-COOLED UNIT			WATER-COOLED UNIT			REMOTE AIR-COOLED UNIT					
air temp	water temp		air temp	water temp		air temp	water temp				
'F	50°	70°	90°	'F	50°	70°	90°	'F	50°	70°	90°
'C	10°	21°	32°	'C	10°	21°	32°	'C	10°	21°	32°
70°	650	600	560	70°	650	630	590	-20° to 70°	630	580	550
21°	295	272	254	21°	295	286	268	-29° to 21°	286	263	249
80°	640	580	550	80°	640	620	580	90°	620	570	530
27°	290	263	249	27°	290	281	263	32°	281	259	240
90°	590	540	510	90°	630	610	580	100°	580	530	500
32°	268	245	231	32°	286	277	263	38°	263	240	227

†Production for Dice and Half Dice cubes. Data is published for 60 Hz machines. 50 Hz machines produce approximately 7% less ice.

 **Certified In Accordance With ARI Ice Storage Bins Certification Program, which is based on ARI Standard 820**

Note: Dispenser will accept single 22" or 30" wide ice machine. Ice machine ordered separately. Choose Dice or Half Dice cube size. Refer to ice machine specification sheet for electrical and complete ARI standard ratings.

Dispenser Electric: 115/60/1. (208-230/60/1 and 230/50/1 also available.)

Maximum Circuit Fuse Size: 15.0 amps. HACR-type circuit breakers can be used in place of fuses.

Dispenser Electrical Connection: 6' power cord, rated 125 VAC, 16-3 conductors with standard 3-prong, straight-blade, ground-type plug (NEMA configuration 5-15P).

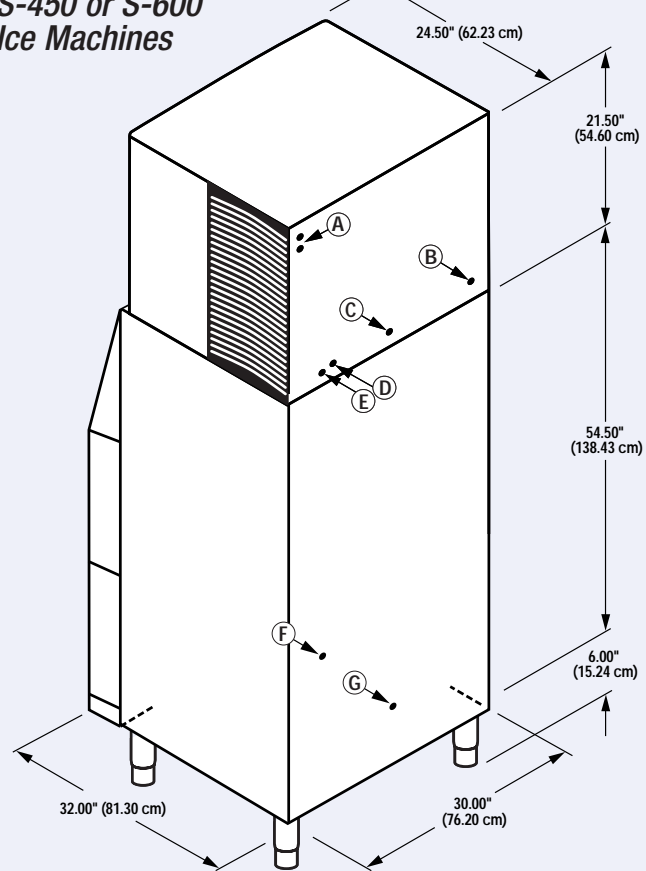
Motor: 1.6 amps maximum. Permanently lubricated.

Service Access: Dispenser door removes easily to access components.

Models: SPA-310 push for ice rocking chute, SCA-330 coin-op and SRA-340 room card control available. To field-convert SPA-310 to SRA-340, call factory for information.



SPA-310 Ice Dispenser S-450 or S-600 Ice Machines



- A Electrical Entrance (2) Options
- B 3/8" (0.95 cm) F.P.T. Water Condenser Inlet (water-cooled units)
- C 1/2" (1.27 cm) F.P.T. Water Condenser Outlet (water-cooled units)
- D 3/8" (0.95 cm) F.P.T. Ice Making Water Inlet
- E 1/2" (1.27 cm) F.P.T. Ice Making Water Drain
- F Dispenser Electrical Entrance
- G 1/2" (1.27 cm) F.P.T. Melting Tray Pan Drain

Installation Note - Dispensers have no minimum clearance, when installing an ice machine/dispenser combination follow the clearance requirements for the ice machine being installed.

AuCS®/SI Accessory



Automatic Cleaning System purchased factory installed in the machine or as an option for field retrofit.

2 Cube Sizes Available



Half Dice
3/8" x 1 1/8" x 7/8"
(.95 x 2.86 x 2.22 cm)



Dice
7/8" x 7/8" x 7/8"
(2.22 x 2.22 x 2.22 cm)

Options



**Room Card
SRA-340**



**Coin-Op
SCA-330**

25-cent coin standard.

©2005 Manitowoc 3182 - 1204. Continuing product improvement may necessitate change of specifications without notice.



MANITOWOC ICE, INC.
2110 South 26th Street, P.O. Box 1720
Manitowoc, WI 54221-1720, USA
Ph: 920-682-0161 • Fax: 920-683-7589
Visit us online at www.manitowocice.com

