

# S-Series 322 Ice Cube Machine



**NEW**



S-Series 322  
Ice Machine on B-320 Bin

- SANITATION**  
We've made it simple to clean
- SAVINGS**  
The perfect balance of power and efficiency
- SOUND**  
Designed to run whisper-quiet
- SERVICEABILITY**  
Easy access means less downtime

- Up to 340 lbs. (154 kgs.) daily ice production
- Only 22" (55.88 cm) wide
- Removable water distribution tube with no tools
- Food zone designed with soft, round, cove corners
- Patented cleaning and sanitizing technology
- Select components made with AlphaSan® antimicrobial

- Hinged front door for easy access
- Warranty  
5-year parts and 5-year labor coverage on ice machine evaporator  
5-year parts and 3-year labor coverage on ice machine compressor  
3-year parts-and-labor coverage on all other ice machine, dispenser, and storage bin components



ISO 9001:2000  
Quality System  
Certified

**America's #1 Selling Ice Machine**

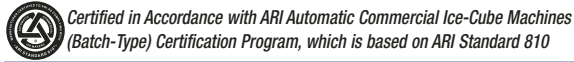
Ice Cube & Flake Machines • Ice Storage Bins • Ice Dispensers



# Manitowoc S-Series 322

Model	Cube size	Ice production 24 hours		Power kWh/100 lbs.
		lbs.	kgs.	
SD-0322A	dice	250	113	6.9
SD-0323W	dice	290	132	5.4
SY-0324A	half-dice	250	113	6.9
SY-0325W	half-dice	290	132	5.4
Water usage/100 lbs./45.4 kgs. of Ice				
Potable Water: 18 gallons, 68 liters • Water-cooled Condenser: 160 gallons, 605.6 liters				

Order ice storage bin separately. "A" or "W" following model number indicates "Air" or "Water" condensing unit.



## Ice Machine Electric

115/60/1 standard. (208-230/60/1 and 230/50/1 also available.)

**Min. circuit ampacity:** Air-cooled: 11.3 amps  
Water-cooled: 10.5 amps

**Max. fuse size:** Air-cooled and Water-cooled: 15 amps

HACR-type circuit breakers can be used in place of fuses.

## Specifications

**BTU Per Hour:**  
3,800 (average) 6,000 (peak)

**Compressor:**  
Nominal rating: 1/2 HP

**Cupra-Nickel Condenser:**  
(Water-cooled models)  
Adds protection from corrosive water elements.

**Operating Limits:**  
• Ambient Temperature Range:  
Air and water:  
35° to 110°F (1.6° to 43.3°C)

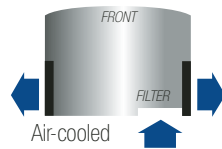
• Water Temperature Range:  
35° to 90°F (1.6° to 32.2°C)

• Water Pressure Ice Maker Water In:  
Min. 20 psi (137.9 kPa)  
Max. 80 psi (551.1 kPa)

• Condenser Inlet Water In:  
(Water-cooled only)  
Min. 20 psi (137.9 kPa)  
Max. 150 psi (1,034.2 kPa)



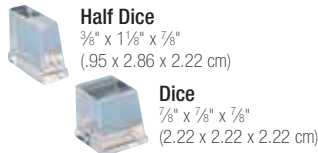
## Air Flow Top View



## AuCS@SO Accessory

Automatic Cleaning System purchased as an option and installed in the field.

## 2 Cube Sizes Available



24-HOUR PRODUCTION †						lbs. kgs.	
AIR-COOLED UNIT			WATER-COOLED UNIT				
air temp	water temp		air temp	water temp			
°F	50°	70°	90°	°F	50°	70°	90°
°C	10°	21°	32°	°C	10°	21°	32°
70°	340	320	300	70°	330	310	280
21°	154	145	136	21°	150	141	127
80°	320	290	270	80°	320	300	280
27°	145	132	122	27°	145	136	127
90°	280	250	240	90°	310	290	270
32°	127	113	108	32°	141	132	122

†Production for dice and half dice cubes. Data is published for 60 Hz machines. 50 Hz machines produce approximately 7% less ice.

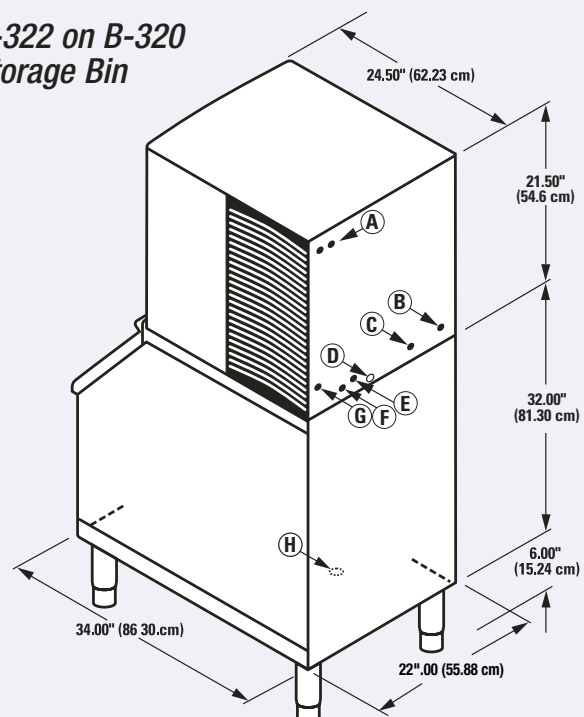
## Space-Saving Designs



	S-322 B-320	S-322 B-420
Height	59.50" 151.13 cm	71.50" 194.31 cm
Width	22.00" 55.88 cm	22.00" 55.88 cm
Depth	34.00" 86.30 cm	34.00" 86.30 cm
Bin Storage	210 lbs. 95 kgs.	310 lbs. 141 kgs.

Height includes adjustable bin legs 6.00" to 7.00", (15.24 to 17.78 cm) set at 6.00" (15.24 cm). For comparison purposes multiply ARI capacity by 1.3 (30%) to arrive at approximate "Application Rating Capacity."

## S-322 on B-320 Storage Bin



- (A) Electrical Entrance (2) Options
- (B) 3/8" (0.95 cm) F.P.T. Water Condenser Inlet (water-cooled units)
- (C) 1/2" (1.27 cm) F.P.T. Water Condenser Outlet (water-cooled units)
- (D) 1/2" (1.27 cm) Auxiliary Base Drain Socket
- (E) 3/8" (0.95 cm) F.P.T. Ice Making Water Inlet
- (F) 1/2" (1.27 cm) F.P.T. Ice Making Water Drain
- (G) AuCS@SO Accessory Knockout
- (H) 3/4" (1.91 cm) Bin Drain

## Installation Note -

Minimum installation clearance— Top/sides: 8" (20.32 cm); Back: is 5" (12.7 cm).



MANITOWOC ICE, INC.  
2110 South 26th Street, P.O. Box 1720  
Manitowoc, WI 54221-1720, USA  
Ph: 920-682-0161 • Fax: 920-683-7589  
Visit us online at [www.manitowocice.com](http://www.manitowocice.com)



©2005 Manitowoc 2/05. Continuing product improvement may necessitate change of specifications without notice. 2980A